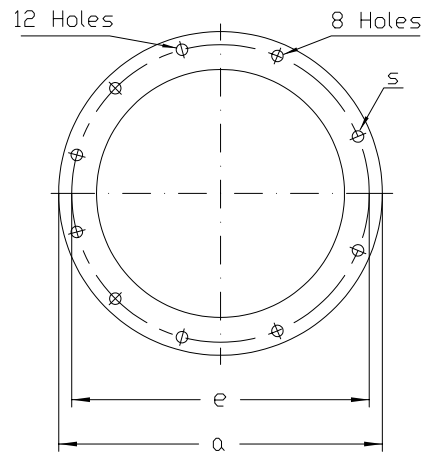


Hole pattern of pump foot



Approximate Dimensions

Dimensions not to be used for construction purposes

211.40 Pumpsized	Suction PN16	Disch. PN16	Motor		
			kw	rpm	Frame
088	100	100	22	1480	180L
105	125	125	37	1480	225S
118	150	150	55	1480	250M
135	200	200	90	1480	280M
150	250	250	110	1480	315S
165	250	250	160	1480	315M
180	300	300	200	1480	315L

211.40 Pumpsized	a	c	e	g	i	j	o	p	s	v	w	x	z
088	500	26	460	300	240	337	555	622	8x18	110	355	590	1567
105	530	30	490	330	247.5	362	590	670	8x18	140	392.5	697.5	1760
118	610	30	560	360	285	458	625	720	8x22	140	430	735	1885
135	620	30	570	375	285	458	670	790	8x22	140	430	920	2140
150	660	30	610	395	332	560	660	810	12x22	170	507	955	2272
165	700	30	650	420	355	588	745	895	12x22	170	530	1055	2480
180	750	30	700	450	370	657	765	937	12x22	170	545	1125	2607

HOUTTUIN B.V.

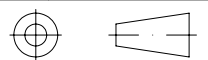
VERTICAL SCREW PUMP

SERIES 211.40



DRAWING NO

51.780



REVISION 00  
DATE 12.01.04