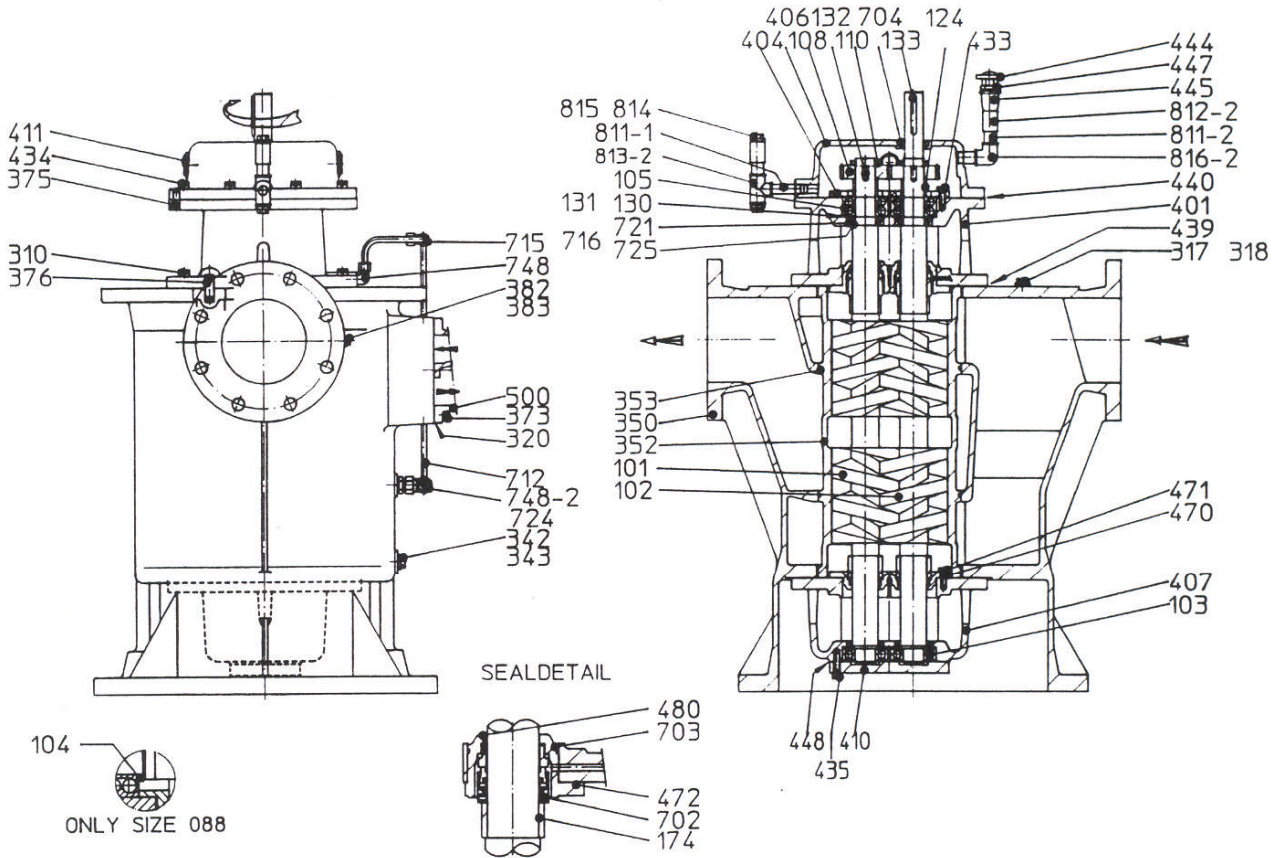


Sectoinal drawing 231.50



Part No. Description

- 101 Short screw shaft
- 102 Long screw shaft
- 103 Single row ball bearing
- 104 Support ring
- 105 Double row ball bearing
- 108 Gear wheel
- 110 Nut
- 124 Distance bush
- 130 Shim 0,1 mm
- 131 Shim 0,05 mm
- 132 Key
- 133 Key
- 174 Support ring
- 310 Socket screw
- 317 Filler cap
- 318 Joint washer
- 320 Gasket
- 342 Socket screw
- 343 Joint washer
- 350 Pump casing
- 352 Cylinder liner
- 353 O-ring
- 373 Socket screw
- 375 Fitted pin
- 376 Fitted pin
- 382 Filler cap
- 383 Joint washer

Part No. Description

- 401 Cover
- 404 Ball bearing cover
- 406 Gearbox
- 407 Cover
- 410 Ball bearing cover
- 411 Oil-level indicator
- 433 Tapbolt
- 434 Socket screw
- 435 Socket screw
- 439 Gasket
- 440 Gasket
- 444 Breather
- 445 Reducing socket
- 447 Reducing ring
- 448 Gasket
- 470 Seal cover
- 471 Tapbolt
- 480 Anti-rotation pin for 702

Part No. Description

- 702 Mechanical seal
- 703 O-ring
- 704 Lip-seal
- 712 Pipe
- 715 T-coupling
- 716 Orifice
- 721 Lip-seal
- 722 Adjustable coupling
- 724 Reducing coupling
- 725 Bush
- 748 Coupling
- 748-2 Coupling
- 811-1 Pipe
- 811-2 Pipe
- 812-2 T-socket
- 813-2 Reducing socket
- 814 Filler cap
- 815 Joint washer
- 816-2 Coupling