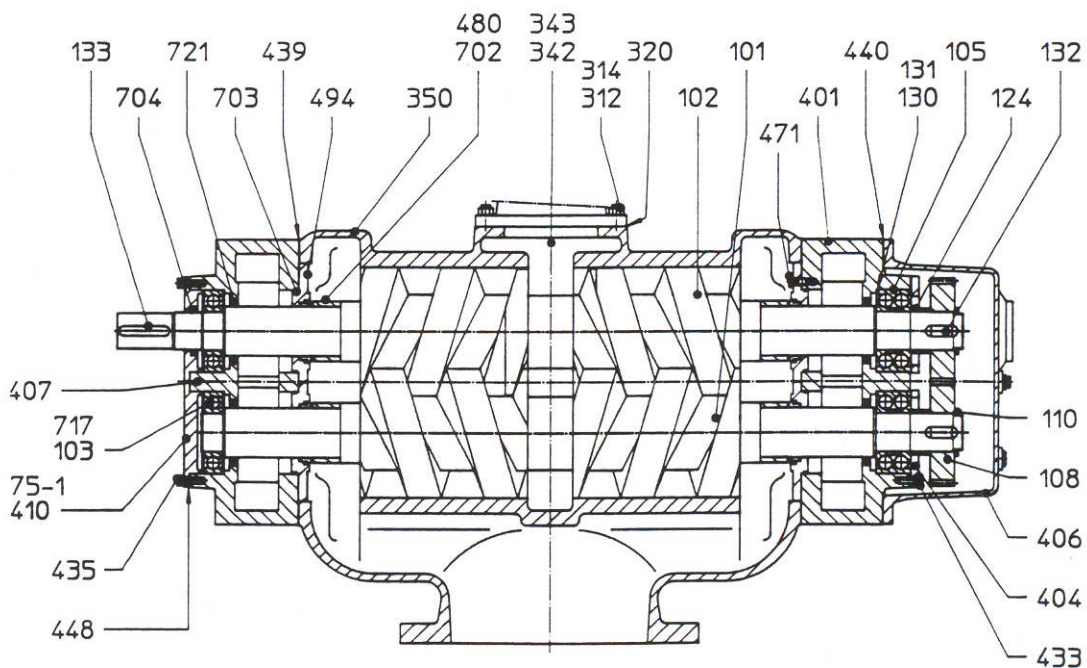
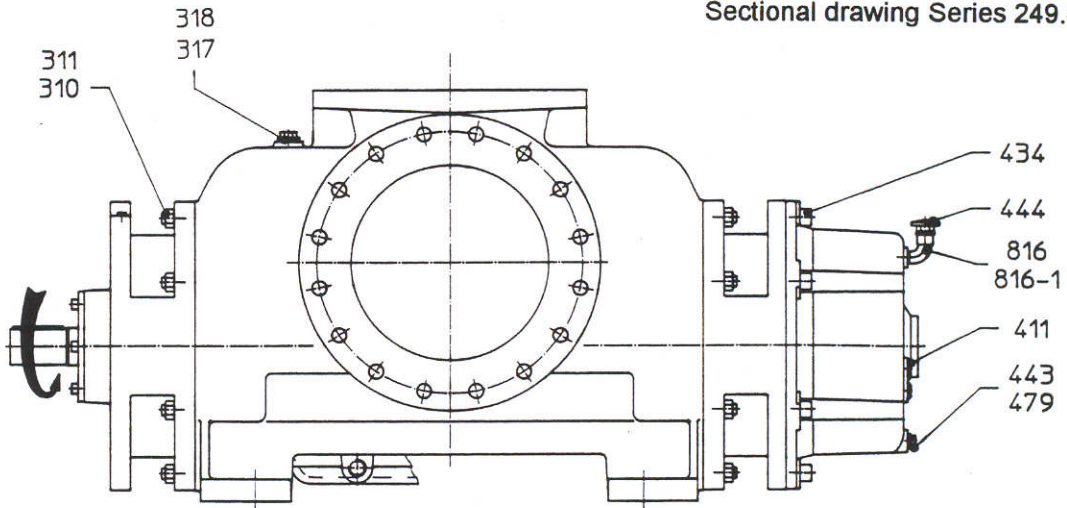


Sectional drawing Series 249.40



Part No. Description

Part No. Description

Part No. Description

101	Short screw shaft
102	Long screw shaft
103	Single row ball bearing
105	Double row ball bearing
108	Gearwheel
110	Nut
124	Distance bush
130	Shim 0,1 mm
131	Shim 0,05 mm
132	Key
133	Key

342	Drain plug
343	Joint washer
350	Pump casing
373	Socket screw
375-1	Fitted pin
401	Cover
404	Ball bearing cover
406	Gearbox
407	Cover
410	Cover
411	Oil-level indicator
433	Tapbolt
434	Socket screw
435	Socket screw
439	Gasket

444	Breather
448	Gasket
471	Socket screw
479	Joint washer
480	Anti-rotation pin for 702
494	Ball bearing cover
702	Mechanical seal
703	O-ring
704	Lipseal
717	Distance bush
721	Lipseal
816	Elbow bend
816-1	Elbow bend

310	Stud
311	Nut
312	Stud
314	Nut
317	Filler cap
318	Joint washer
320	Gasket