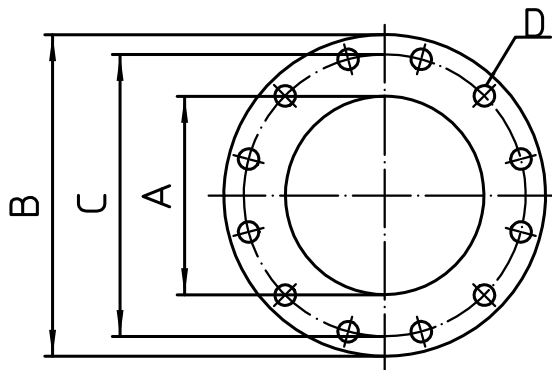
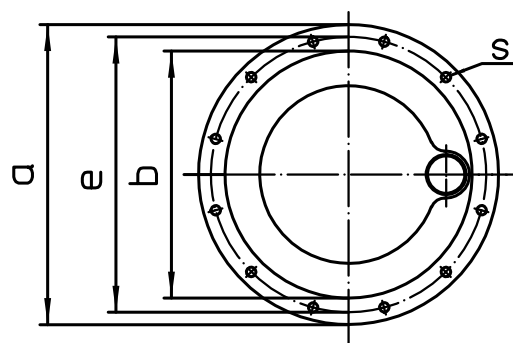


Dischargeflange



Connectionflange



Pump size	A	B	C	D	E	a	b	c	e	s	a1	g	i	j	k	o	p	q	r	L	Relief valve Size
150	250	405	355	26 (12x)	55	850	700	40	780	27 (12x)	505	500	405	575	32	250	850	405	200	on request	100
165	250	405	355	26 (12x)	55	850	700	40	780	27 (12x)	540	500	405	575	32	250	870	405	200	on request	100
180	250	405	355	26 (12x)	55	850	700	40	780	27 (12x)	690	500	405	575	32	250	880	405	200	on request	100
210	350	520	470	26 (16x)	73.5	990	850	45	920	27 (12x)	725	600	515	880	36	300	1010	580	300	on request	160

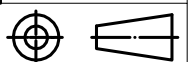


**HOUTTUIN B.V.**  
A COLFAX BUSINESS UNIT

SUBMERSIBLE SCREW PUMP  
SERIES 215.10

DRAWING NO

52.743



REVISION 00  
DATE 08.09.09