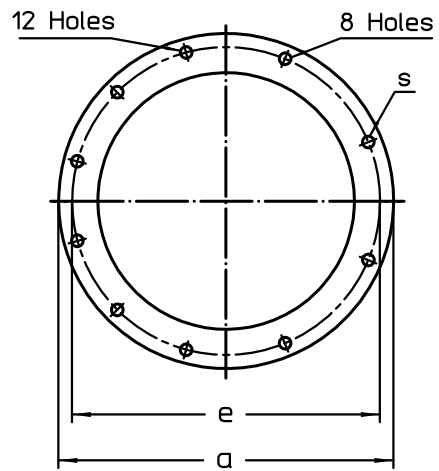


Hole pattern of pump foot



Approximate Dimensions  
Dimensions not to be used for construction purposes

231.50 Pumpsizes	Suction PN16	Disch. PN16	Motor		
			kw	rpm	Frame
088	100	100	22	1480	180L
105	125	125	37	1480	225S
118	150	150	55	1480	250M
135	200	200	90	1480	280M
150	250	250	110	1480	315S
165	250	250	160	1480	315M
180	300	300	200	1480	315L

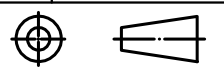
231.50 Pumpsizes	a	c	e	g	i	j	o	p	s	v	w	x	z
088	500	26	460	300	310	337	555	622	8x18	110	425	590	1637
105	530	30	490	330	322,5	362	590	670	8x18	140	467.5	697.5	1835
118	610	30	560	360	340	458	625	720	8x22	140	485	735	1940
135	620	30	570	375	350	458	670	790	8x22	140	495	920	2205
150	660	30	610	395	400	560	750	900	12x22	170	575	955	2430
165	700	30	650	420	429	588	830	980	12x22	170	604	1055	2639
180	750	30	700	450	445	657	875	1047	12x22	170	620	1125	2792

**HOUTTUIN B.V.**

VERTICAL SCREW PUMP

DRAWING NO

52.764



REVISION 00  
DATE 14.10.09



SERIES 231.50